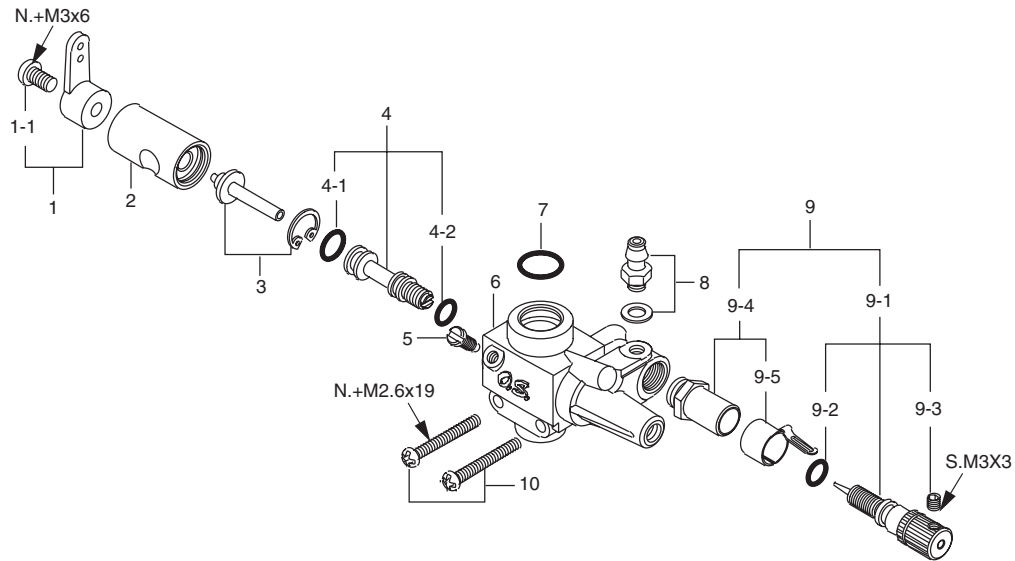


* Type of screw
 C...Cap Screw M...Oval Fillister-Head Screw
 F...Flat Head Screw N...Round Head Screw S...Set Screw

No.	Code No.	Description
1	45813000	Screw Set
2	44204200	Rocker Cover
3	45261400	Rocker Support Assembly
3-1	45261410	Rocker Support
3-2	45761600	Rocker Arm Retainer (2pcs.)
4	45261010	Rocker Arm Assembly (1pair)
4-1	45261110	Rocker Arm (1pc.)
4-2	45761200	Tapet Adjusting Screw
5	44260000	Intake Valve Assembly (1pair)
5-1	44260100	Intake Valve (1pc.)
5-2	44260200	Valve Spring (1pc.)
5-3	45060309	Valve Spring Seat (1pc.)
5-4	46160400	Valve Spring Retainer (2ps.)
6	44261000	Exhaust Valve Assembly (1pair.)
6-1	44261100	Exhaust Valve (1pc.)
6-2	44260200	Valve Spring (1pc.)
6-3	45060309	Valve Spring Sea t(1pc.)
6-4	46160400	Valve Spring Retainer (1pc.)
7	44204100	Cylinder Head (W/Gasket)
7-1	45814100	Cylinder Head Gasket
8	44204000	Cylinder Head (W/Gasket and Valve Assembly)
9	44269400	Intake Pipe Assembly
10	44281000	Carburetor Complete (Type 40N)
11	44203400	Piston Ring
12	45803200	Piston
13	45806000	Piston Pin
14	45205000	Connecting Rod
15	45803100	Cylinder Liner
16	44207000	Cover Plate
17	44202000	Crankshaft

No.	Code No.	Description
18	44230000	Crankshaft Ball Bearing (Rear)
19	44201000	Crankcase
20	22681953	Breather Nipple (No.1)
21	45231100	Camshaft Bearing (1pc.)
22	44262000	Camshaft
23	45801100	Cam Cover
24	44266000	Push Rod (2pcs.)
25	45866100	Push Rod Cover Assembly (2pcs.)
25-1	45866110	Push Rod Cover (1pcs.)
25-2	24881824	Push Rod Cover "O" Ring (2pcs.)
26	45664000	Cam Follower (2pcs.)
27	26531005	Crankshaft Ball Bearing (Front)
28	45808000	Drive Hub
28-1	27708200	Woodruff Key
29	45810100	Lock Nut Set
	71615009	Glow Plug Type F
	44225000	F-3020 Silencer Assembly
	44225100	Silencer Body
	22681957	Pressure Fitting (No.7)
	44226000	Exhaust Header Pipe Assembly



* Type of screw

C...Cap Screw M...Oval Fillister-Head Screw

F...Flat Head Screw N...Round Head Screw S...Set Screw

No.	Code No.	Description
1	22081408	Throttle Lever Assembly
1-1	22081313	Throttle Lever Retaining Screw
2	44281200	Carburetor Rotor
3	44281960	Nozzle Assembly
4	44281600	Mixture Control Screw Assembly
4-1	46066319	"O" Ring (L) (2pcs.)
4-2	24881824	"O" Ring (S) (2pcs.)
5	21285220	Rotor Guide Screw
6	44281100	Carburetor Body
7	45115000	Carburetor Rubber Gasket
8	22681953	Fuel Inlet (No.1)
9	44281900	Needle-valve Assembly
9-1	44281970	Needle Assembly
9-2	24981837	"O" Ring (2pcs.)
9-3	26381501	Set Screw
9-4	27381940	Needle-valve Holder Assembly
9-5	26711305	Ratchet Spring
10	22025807	Carburetor Retaining Screw (2pcs.)

O.S. GENUINE PARTS & ACCESSORIES

Code No.	Description
71913000	Radial Motor Mount
72200080	Needle Valve Extension Cable Set
72108400	Exhaust Header Pipe 52S (IN-COWL)
72108300	Flexible Exhaust Pipe 1010A (120mm)
72108310	Flexible Exhaust Pipe 1010B (240mm)
45226000	Exhaust Header Pipe Assembly
45810200	Propeller Locknut Set (For Spinner)
45810300	1/4"-5 Propeller Locknut Set For Trutum Spinner
71531000	Non-Bubble Weight
72403050	Super Filter (L)
72200060	Valve Adjusting Tool Kit
79871020	Cap Screw Set (M2.6x7) (10pcs.)
79871040	Cap Screw Set (M2.6x12) (10pcs.)
71521000	Long Socket Wrench With Plug Grip