

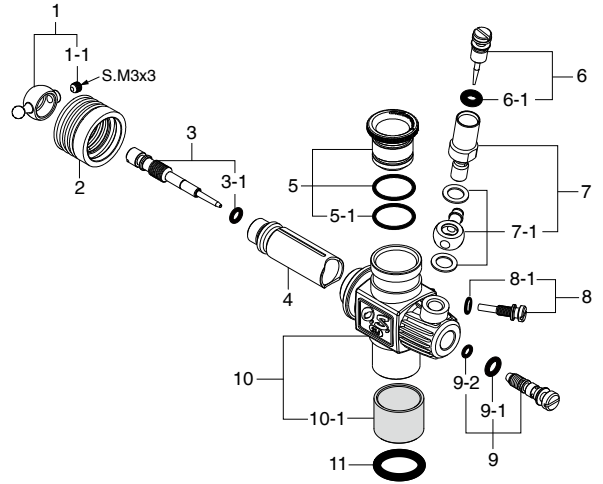
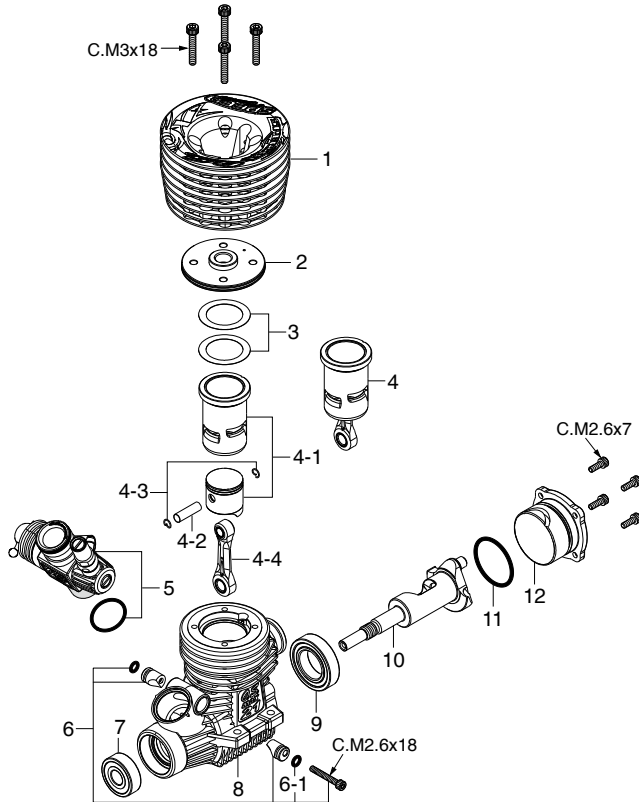


O.S. SPEED 21XZ-B Spec.III

(1AN00)

TYPE 21J3 (B) R6.5

(2AN81000)



* Type of screw

C...Cap Screw B...Binding Screw M...Oval Fillister-Head Screw
F...Flat Head Screw T...Tapping Screw N...Round Head Screw S...Set Screw

CAP SCREW SETS (10pcs./set)

Code No.	Size	Pcs. used in an engine
79871020	M2.6x7	Cover Plate Retaining Screw (4pcs.)
79871055	M2.6x18	Carburetor Retainer Retaining Screw (1pc.)
79871180	M3x18	Cylinder Head Retaining Screw (4pcs.)

No.	Code No.	Description
* 1	2AN04000	Outer Head OSSPEED 21XZ-B Spec.3
* 2	2AN04100	Inner Head OSSPEED 21XZ-B Spec.3
3	22014162	Head Gasket Set (0.1mm,0.2mm) 21-B01
* 4	2AN03010	Built-up Parts Set (C&P) OSSPEED 21XZ-B Spec.3
* 4-1	2AN03000	Cylinder & Piston Assembly OSSPEED 21XZ-B Spec.3
4-2	22016000	Piston Pin 21XZ-R
4-3	21817010	Piston Pin Retainer 4mm (6pcs.)
4-4	22425003	Connecting Rod w/piston pin retainers (3pcs.)
* 5	2AN81000	Carburetor Complete (Type 21J3(B) R6.5)
6	23981740	Carburetor Retainer Assembly 21E,21H,21J
6-1	24881824	"O" Ring (2pcs.) (7B)
7	23731020	Crankshaft Ball Bearing (Front) 21XZ-B
* 8	2AN01000	Crankcase OSSPEED 21XZ-B Spec.3
9	23730050	Ceramic Ball Bearing (Rear) OSSPEED 21V
10	22422030	Crankshaft OSSPEED 21XZ-B Spec.2
11	23764020	Cover Gasket (S-22) 30VG,21VZ,VG
12	22427100	Cover Plate OSSPEED 21XZ-B Spec.2
	71641300	Glow Plug P3
	22826145	Exhaust Seal Ring 21 (10pcs.)
	71533260	Carburetor Reducer 6mm (RED) w/ "O" Ring (2pcs.) OSSP 21
	22615000	"O" Ring (1pc.) 2A-3A,20C,20D
	22884254	Dust Cap Set 12-30 (3mmx2,16mmx2,18mmx1)

* marked parts are available only for limited period (one year after finishing the production).

No.	Code No.	Description
1	23781400	Ball Link No.3
1-1	26381501	Retaining Screw
2	23981520	Dust Cover (21,30VG) 21E,21F,21J
3	23818340	Metering Needle Assembly 21C,21J
3-1	27881820	"O" Ring (2pcs.) (S-3)
4	22848210	Slide Valve 21J
5	71533265	Carburetor Reducer 6.5mm (Red) OSSPEED 21
5-1	22615000	"O" Ring 2A-3A,20C,20D
6	23618197	Needle Assembly 21C,21E,21F,20E,21J
6-1	46066319	"O" Ring (L) (2pcs.) P-3
7	22082940	Needle Holder Assembly (21M) 21XZ-R
7-1	22082950	Fuel Inlet (No.15)
8	22848160	Throttle Stop Screw (21J)
8-1	27881820	"O" Ring (2pcs.) (S-3)
9	22082600	Mixture Control Valve Assembly (21M) 21XZ-R
9-1	46066319	"O" Ring (L) (2pcs.) P-3
9-2	22781800	"O" Ring (S) (2pcs.) 10D,10F,1H-3H,20E
* 10	2AN81100	Carburetor Body 21J3(B) (w/Thermo Insulator)
* 10-1	2AN81101	Thermo Insulator 21J3
11	29015019	Carburetor Rubber Gasket 20E,60F,60MC,70D

* marked parts are available only for limited period (one year after finishing the production).