

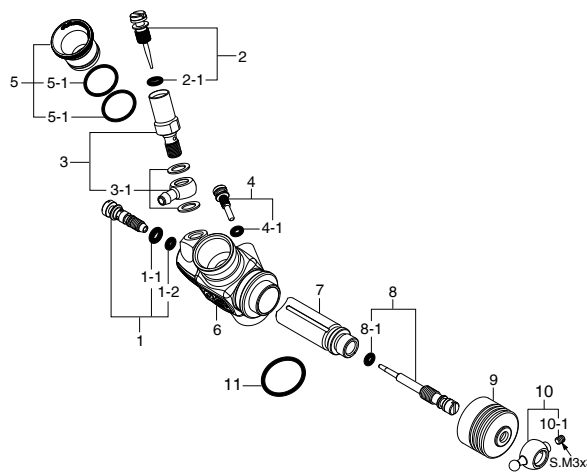
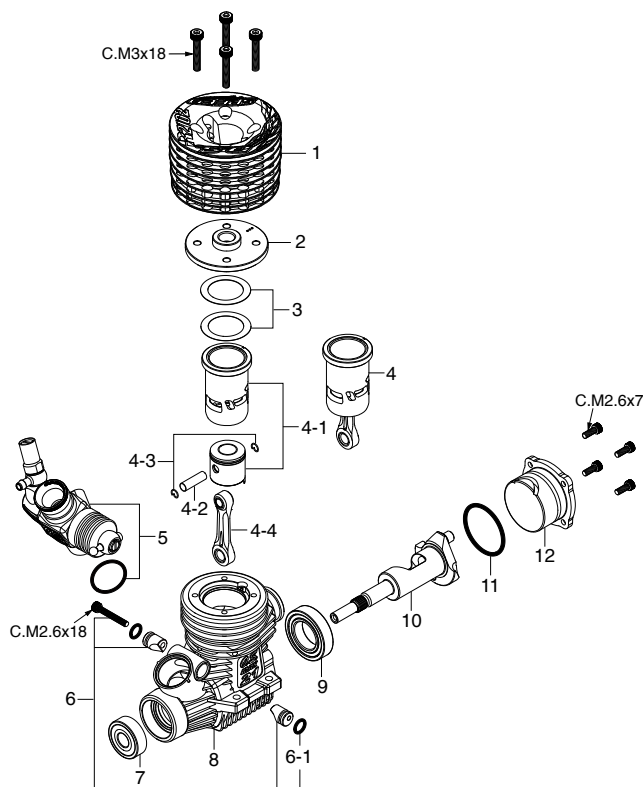


O.S. SPEED R2102

(1A100)

TYPE 21M2 (B)

(2A081001)



* Type of screw

C...Cap Screw B...Binding Screw M...Oval Fillister-Head Screw
F...Flat Head Screw T...Tapping Screw N...Round Head Screw S...Set Screw

CAP SCREW SETS (10pcs./set)

Code No.	Size	Pcs. used in an engine
79871020	M2.6x7	Cover Plate Retaining Screw (4pcs.)
79871055	M2.6x18	Carburetor Retainer Retaining Screw (1pc.)
79871180	M3x18	Cylinder Head Retaining Screw (4pcs.)

No.	Code No.	Description
* 1	2A104000	Outer Head OSSPEED R2102
* 2	2A004100	Inner Head OSSPEED R2101
3	2A004160	Head Gasket Set (0.1mm / 0.15mm) R2101
* 4	2A003010	Built-Up Parts Set (CP) OSSPEED R2101
* 4-1	2A003000	Cylinder & Piston Assembly OSSPEED R2101
4-2	22016000	Piston Pin 21XZ-R
4-3	2AP17000	O.S. SPEED Piston Pin Retainer 2 (6pcs.)
4-4	23755024	Connecting Rod w/piston pin retainers (3pcs.)
* 5	2A081001	Carburetor Complete (Type 21M2(B))
6	23981740	Carburetor Retainer Assembly 21E,21H,21J
6-1	24881824	"O" Ring (2pcs.) (TB)
7	23731000	Crankshaft Ball Bearing (Front) 21VZ,VG,30VG,28
* 8	2A001000	Crankcase OSSPEED R2101
9	23730050	Ceramic Bearing (Rear) OSSPEED 21V
* 10	2A002000	Crankshaft OSSPEED R2101
11	23107100	Cover Gasket (S-22) 21XZ,30VG,35AX
* 12	2A007000	Cover Plate OSSPEED R2101
* 2A104100		Inner Head OSSPEED R2102
	71642070	Glow Plug RP7 (T-Plug)
	22826140	Exhaust Seal Ring (2pcs.) 21VZ,30VG
	71801110	O.S. SPEED Flywheel Collet (2pcs.)
	22884254	O.S. SPEED Dust Cap Set For 12-30 Class 3mm (2pcs.)/16mm (2pcs.)/18mm (1pc)

* marked parts are available only for limited period
(one year after finishing the production).

No.	Code No.	Description
1	22082600	Mixture Control Valve Assembly (21M) 21XZ-R
1-1	46066319	"O" Ring (L) (2pcs.) P-3
1-2	22781800	"O" Ring (S) (2pcs.) 10D,10F,1H-3H,20E
2	22082970	Needle Assembly (21M) 21XZ-R
2-1	46066319	"O" Ring (2pcs.) P-3
3	22082940	Needle Holder Assembly (21M) 21XZ-R
3-1	22082950	No.15 Universal Nipple Assembly
4	22848160	Throttle Stop Screw (21J)
4-1	27881820	"O" Ring (S) (2pcs.) (S-3)
5	71533085	Carburetor Reducer (8.5mm Red) ALUMINUM
5-1	22615000	"O" Ring (1pc.) 2A-3A,20C,20D
6	22082110	Carburetor Body 21M(B)
7	22082200	Slide Valve (21M) 21XZ-R
* 8	2A081610	Metering Needle Assembly R2101
8-1	27881820	"O" Ring (S) (2pcs.) (S-3)
9	23981520	Dust Cover (21,30VG) 21E,21F,21J
10	23781400	Ball Link No.3
10-1	26381501	Set Screw (1pc.)
11	29015019	Carburetor Rubber Gasket 20E,60F,60MC,70D

* marked parts are available only for limited period
(one year after finishing the production).