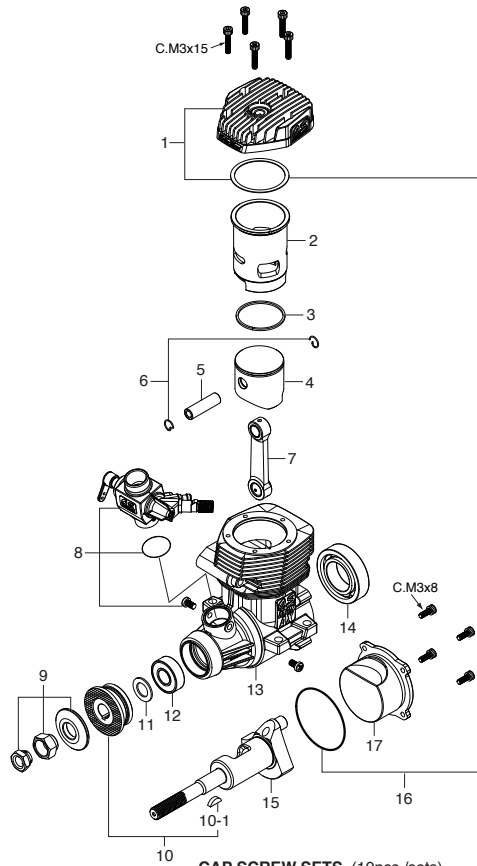


MAX-120AX RING-BE

(19213)

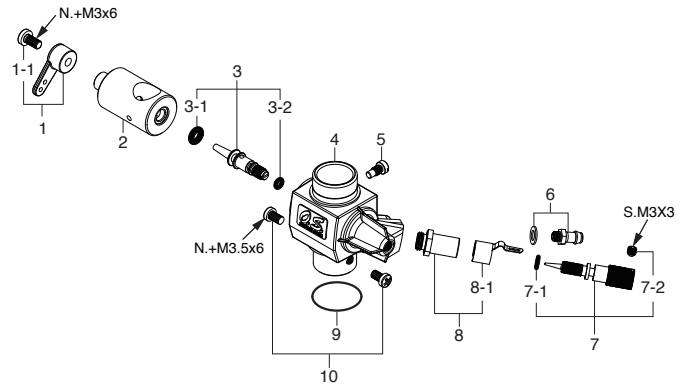
TYPE 70D-BE

(29182010)



CAP SCREW SETS (10pcs./sets)

Code No.	Size	Pcs. used in an engine
79871110	M3x8	Cover Plate Retaining Screw (4pcs.)
79871150	M3x15	Cylinder Head Retaining Screw (5pcs.)



* Type of screw

C...Cap Screw M...Oval Fillister-Head Screw T...Tapping Screw
F...Flat Head Screw N...Round Head Screw S...Set Screw

No.	Code No.	Description
1	29124010	Cylinder Head
2	29123100	Cylinder Liner
3	29123400	Piston Ring
4	29123200	Piston
5	29206000	Piston Pin
6	28117000	Piston Pin Retainer (2pcs.)
7	29125000	Connecting Rod
8	29182010	Carburetor Complete (Type 70D-BE)
9	45910100	Locknut Set
10	29128010	Drive Hub
10-1	29008219	Woodruff Key
11	46120000	Thrust Washer
12	26731010	Crankshaft Ball Bearing (F)
13	29121000	Crankcase
14	46030008	Crankshaft Ball Bearing (R)
15	29122000	Crankshaft
16	29121400	Gasket Set
17	29127000	Cover Plate
	71668100	Glow Plug BE-3
	72200080	Needle Valve Extension Cable Set
	29122500	E-5020 Silencer Assembly
	29122540	Gasket
	29122530	Assembly Screw
	22681957	Pressure Nipple (No.7)
	29122520	Silencer Retaining Screw (C.M4x45 2pcs.)
	29122600	E-5020 Silencer Extension Adapter
	29122610	Extension Adapter Retaining Screw (M4x90 2pcs.)
	29122700	E-5020 Silencer 90° Adapter
	29122510	90° Adapter Retaining Screw (M4x20 2pcs.)

No.	Code No.	Description
1	22081408	Throttle Lever Assembly
1-1	22081313	Assembly Screw
2	29182210	Carburetor Rotor
3	29181620	Mixture Control Valve Assembly
3-1	46066319	"O" Ring (L) (2pcs.)
3-2	22781800	"O" Ring (S) (2pcs.)
4	29182110	Carburetor Body
5	45581820	Roter Guide Screw
6	22681953	Fuel Inlet (No.1)
7	24081970	Needle-valve Assembly
7-1	24981837	"O" Ring (2pcs.)
7-2	26381501	Set Screw
8	27381940	Needle-valve Holder Assembly
8-1	26711305	Ratchet Spring
9	29015019	Carburetor Rubber Gasket
10	25081700	Carburetor Retaining Screw