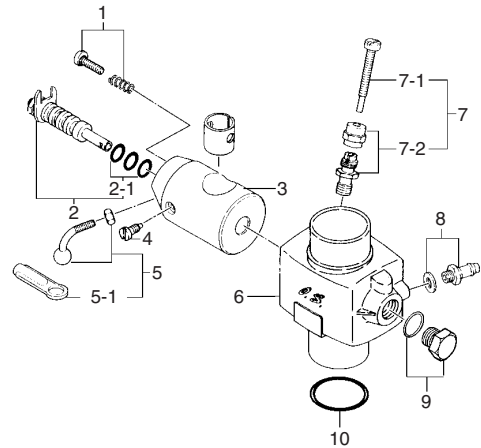
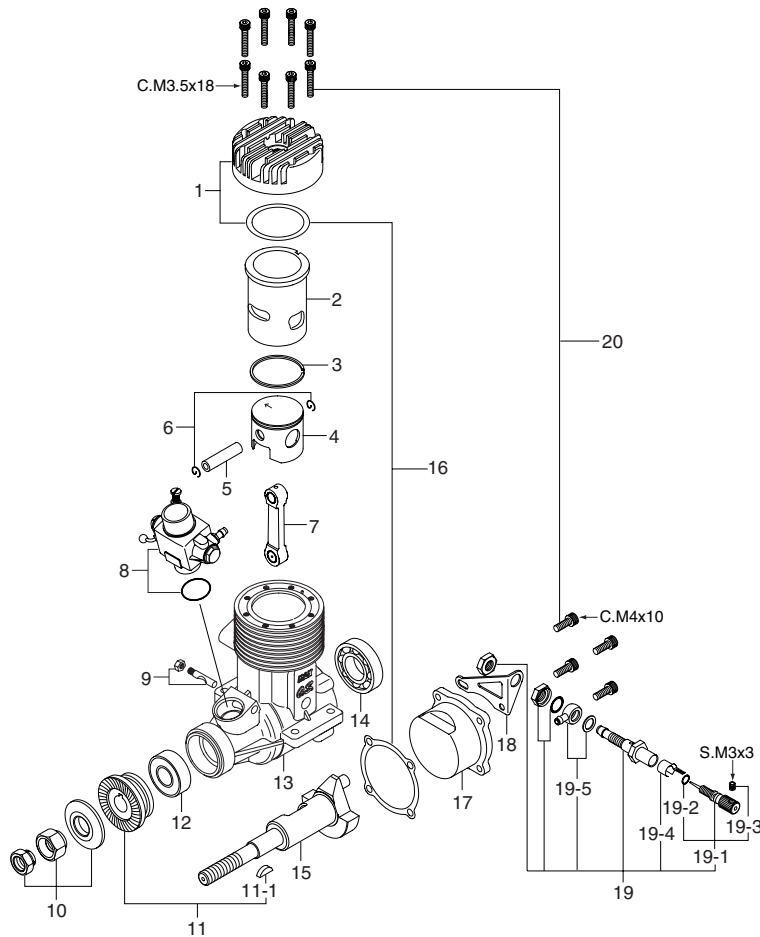


MAX-108FSRRING(RN)

(19202)

TYPE 7D-RN

(29081010)



* Type of screw

C...Cap Screw M...Oval Fillister-Head Screw

F...Flat Head Screw N...Round Head Screw S...Set Screw

| No. | Code No. | Description |
|------|----------|--------------------------------------|
| 1 | 29204000 | Cylinder Head |
| 2 | 29203100 | Cylinder Liner |
| 3 | 29203400 | Piston Ring |
| 4 | 29203200 | Piston |
| 5 | 29206000 | Piston Pin |
| 6 | 29017004 | Piston Pin Retainer (2pcs.) |
| 7 | 29205000 | Connecting Rod |
| 8 | 29081010 | Carburetor Complete (Type 7D-RN) |
| 9 | 29081719 | Carburetor Retainer |
| 10 | 29610100 | Locknut Set |
| 11 | 29208020 | Drive Hub |
| 11-1 | 29208200 | Woodruff Key |
| 12 | 29031009 | Crankshaft Ball Bearing (Front) |
| 13 | 29201000 | Crankcase |
| 14 | 46030008 | Crankshaft Ball Bearing (Rear) |
| 15 | 29202020 | Crankshaft |
| 16 | 29214000 | Gasket Set |
| 17 | 29007005 | Cover Plate |
| 18 | 71704240 | Remote Needle Valve Bracket (108FSR) |
| 19 | 28282000 | Remote Needle Valve Assembly |
| 19-1 | 28281970 | Needle Assembly |
| 19-2 | 24981837 | "O" Ring (2pcs.) |
| 19-3 | 26381501 | Set-screw |
| 19-4 | 26711305 | Ratchet Spring |
| 19-5 | 46181950 | Fuel Outlet |
| 20 | 29213000 | Screw Set |
| | 71608001 | Clow Plug No.8 |
| | 29025000 | 855 Silencer Assembly |
| | 24025923 | Pressure Fitting (No.2) |
| | 29025300 | Assembly Screw |
| | 29025400 | Retaining Screw (C.M4x18 2pcs.) |
| | 29026140 | 855 Exhaust Adapter |

| No. | Code No. | Description |
|-----|----------|---------------------------------|
| 1 | 26881603 | Mixture Control Screw |
| 2 | 29081305 | Mixture Control Valve Assembly |
| 2-1 | 24881824 | "O" Ring |
| 3 | 29081200 | Carburetor Rotor |
| 4 | 26881311 | Mixture Control Valve Set-screw |
| 5 | 26881406 | Throttle Lever Assembly |
| 5-1 | 26881424 | Universal Link |
| 6 | 29081110 | Carburetor Body |
| 7 | 27181600 | Throttle Stop Screw Assembly |
| 7-1 | 27181620 | Throttle Stop Screw |
| 7-2 | 27181610 | Throttle Stop Screw Holder |
| 8 | 22681953 | Fuel Inlet (No.1) |
| 9 | 22881300 | Plug Screw |
| 10 | 29015019 | Carburetor Rubber Gasket |

O.S. GENUINE PARTS & ACCESSORIES

| Code No. | Description |
|----------|---|
| 71907000 | Radial Motor Mount |
| 72200080 | Needle Valve Extension Cable Set |
| 72200130 | Booster Terminal Kit |
| 29310110 | 3/8"-M5 (S) Propeller Locknut Set For Truturn Spinner |
| 71703009 | In-Flight Control Needle Valve |
| 71531000 | Non-Bubble Weight |
| 72403050 | Super Filter (L) |
| 79870050 | M5 Blind Nut (10pcs.) |
| 55500004 | M5 Lock Washer (10sets.) |
| 71521000 | Long Socket Wrench With Plug Grip |