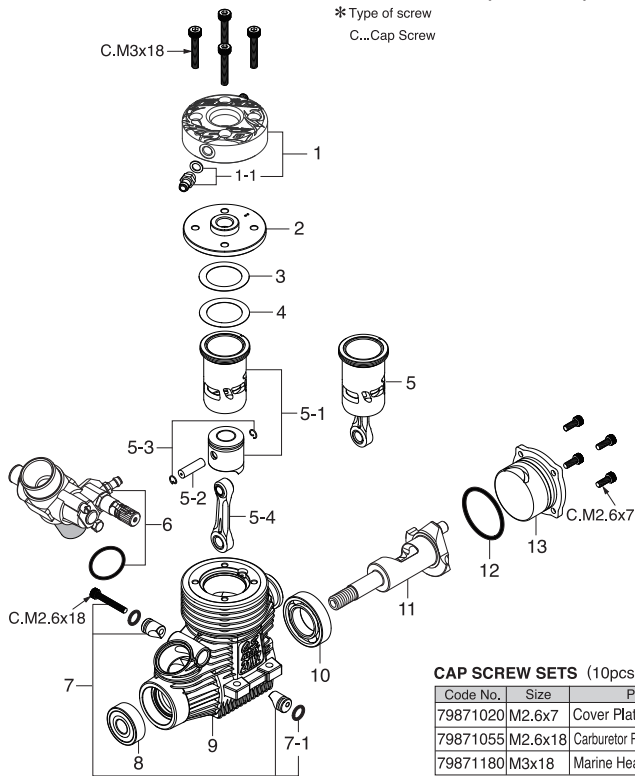


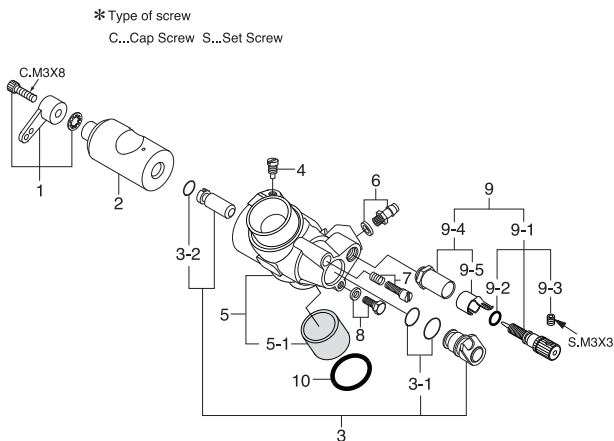
# O.S.SPEED21XZ-M (13952)



### CAP SCREW SETS (10pcs./set)

Code No.	Size	Pcs. used in an engine
79871020	M2.6x7	Cover Plate Retaining Screw (4pcs.)
79871055	M2.6x18	Carburetor Retainer Retaining Screw (1pc.)
79871180	M3x18	Marine Head Retaining Screw (4pcs.)

# 21D (23882000)



### CAP SCREW SETS (10pcs./set)

Code No.	Size	Pcs. used in an engine
79871110	M3x8	Throttle Lever Retaining Screw (1pc.)

### ENGINE PARTS LIST

No.	Code No.	Description
* 1	22014080	Marine Head
1-1	23754721	Nipple No.18
* 2	22014110	Inner Head
3	22014160	Head Gasket Set (0.2mm)
4	22014170	Head Gasket Set (0.1mm)
* 5	22013020	Built-Up Parts Set
* 5-1	22013010	Cylinder & Piston Assembly
* 5-2	22016010	Piston Pin
5-3	21817000	Piston Pin Retainer (2pcs.)
5-4	23755020	Connecting Rod
6	23882000	Carburetor Complete (Type 21D)
7	23981740	Carburetor Retainer Assembly
7-1	24881824	"O" Ring (2pcs.)
8	23731000	Crankshaft Ball Bearing (Front)
* 9	22011020	Crankcase
10	23730020	Crankshaft Ball Bearing (Rear)
* 11	22012080	Crankshaft
12	23764020	Cover Gasket
13	22427000	Cover Plate
	71642070	Glow Plug RP7
	22014160	Head Gasket Set (0.2mm)
	22826140	Exhaust Seal Ring (2pcs.)
	22884250	Dust Cap Set ( 3mm,16mm, 18mm)

\* marked parts are available only for limited period (one year after finishing the production).

### CARBURETOR PARTS LIST

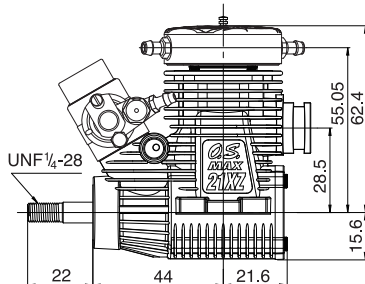
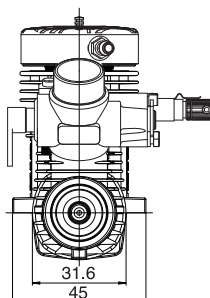
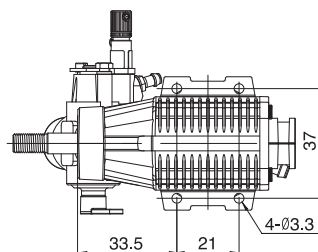
No.	Code No.	Description
1	22081408	Throttle Lever Assembly
2	23882200	Carburetor Rotor
3	23882600	Mixture Control Valve Assembly
3-1	27981850	"O" Ring Set (2pcs.)
3-2	23882630	"O" Ring (S) (2pcs.)
4	45581820	Rotor Guide Screw
5	23882100	Carburetor Body
5-1	23882210	Carburetor Spacer
6	22681953	Fuel Inlet (No.1)
7	27881330	Mixture Control Screw
8	27681340	Mixture Control Valve Stopper
9	25581900	Needle Valve Assembly
9-1	22681980	Needle Assembly
9-2	24981837	"O" Ring (2pcs.)
9-3	26381501	Set Screw
9-4	27381940	Needle Valve Holder Assembly
9-5	26711305	Ratchet Spring
10	29015019	Carburetor Rubber Gasket

### THREE VIEW DRAWING

Dimensions (mm)

### SPECIFICATIONS

Displacement	3.49 cc / 0.213 cu.in.
Bore	16.27 mm / 0.641 in.
Stroke	16.8 mm / 0.661 in.
Output	2.8 ps / 2.76 hp / 33,000 r.p.m.
Practical R.P.M.	4,000-45,000 r.p.m.
Weight	307.5 g / 10.85 oz. (Engine)



### O.S. ENGINES MFG.CO.LTD.

6-15 3-Chome Imagawa Higashiumiyoshi-ku  
Osaka 546-0003, Japan TEL. (06)6702-0225  
http://www.os-engines.co.jp FAX. (06)6704-2722