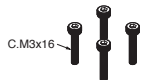
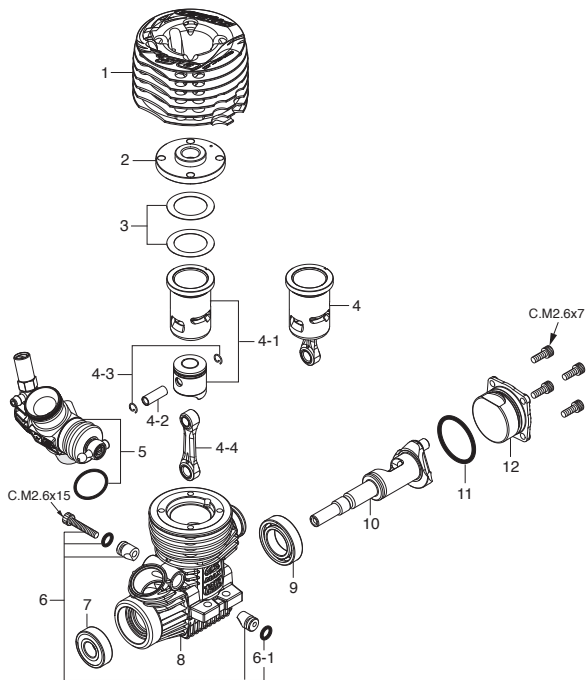


# O.S.SPEED12XZ Spec.III (11685)

\*Type of screw  
C...Cap Screw



## 12F2-B (21682010)



### ENGINE PARTS LIST

No.	Code No.	Description
* 1	21654020	Outer Head
* 2	21654120	Inner Head
3	21531410	Head Gasket Set (2pcs.)
* 4	21653020	Built-Up Parts Set
* 4-1	21653010	Cylinder & Piston Assembly
* 4-2	21656000	Piston Pin
4-3	21817000	Piston Pin Retainer (2pcs.)
4-4	21655000	Connecting Rod
* 5	21682010	Carburetor Complete (Type 12F2-B)
6	21538170	Carburetor Retainer Assembly
6-1	24881824	"O" Ring
7	21630500	Ball Bearing (F) 12
* 8	21651020	Crankcase
9	21931100	Ceramic Bearing (R)
* 10	21652010	Crankshaft
11	21921800	"O" Ring
12	21537000	Cover Plate
	71642060	Glow Plug RP6
	21427200	Exhaust Seal Ring (2pcs.)
	21682950	Dust Cap Set ( 3mm 1pc,16mm 2pcs.)

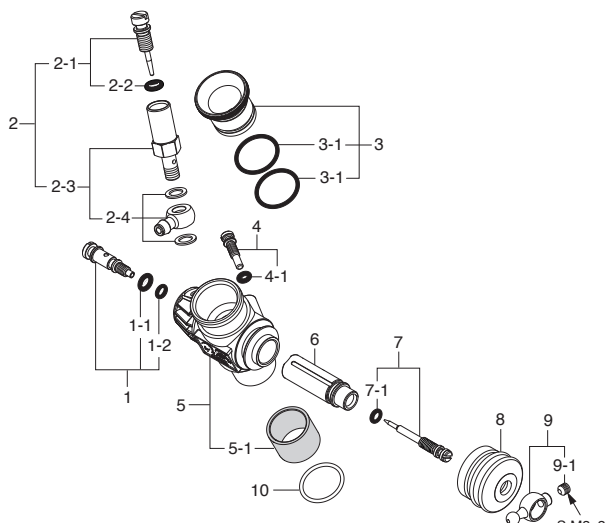
Items marked \* are available for only limited time.  
(One year after discontinuing the production)

### CAP SCREW SETS (10pcs./set)

Code No.	Size	Pcs. used in an engine
79871020	M2.6x7	Cover Plate Retaining Screw (4pcs.)
79871050	M2.6x15	Carburetor Retainer Retaining Screw (1pc.)
79871160	M3x16	Cylinder Head Retaining Screw (4pcs.)

### CARBURETOR EXPLODED VIEW

\*Type of screw  
S...Set Screw



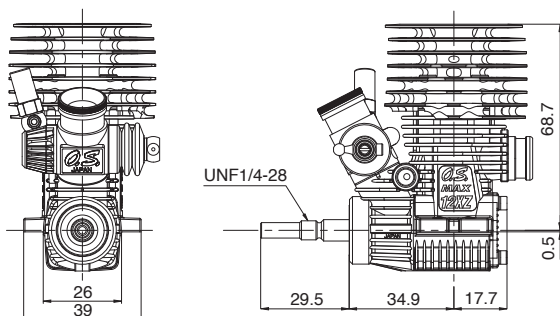
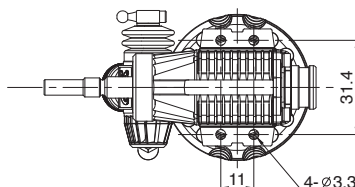
### CARBURETOR PARTS LIST

No.	Code No.	Description
1	21682600	Mixture Control Valve Assembly
1-1	27881820	"O" Ring (L) (2pcs.)
1-2	22781800	"O" Ring (S) (2pcs.)
2	21681900	Needle Valve Assembly
2-1	21538900	Needle
2-2	27881820	"O" Ring (2pcs.)
2-3	21682940	Needle Hoolder
2-4	21881950	No.14 Universal Nipple Assembly
3	71533255	Carburetor Reducer (5.5mm Red)
3-1	22615000	"O" Ring (1pc.)
4	21982620	Throttle Stop Screw
4-1	22781800	"O" Ring (S) (2pcs.)
5	21682100	Carburetor Body (w/Thermo Insulator)
5-1	21982900	Thermo Insulator
6	21682210	Slide Valve
7	21682510	Metering Needle Assembly
7-1	22781800	"O" Ring (S) (2pcs.)
8	21982520	Dust Cover
9	23818430	Ball Link No.5
9-1	26381501	Set Screw
10	22615000	Carburetor Rubber Gasket

### THREE VIEW DRAWING Dimensions (mm)

#### SPECIFICATIONS

Displacement	2.10 cc / 0.128 cu.in.
Bore	13.8 mm / 0.543 in.
Stroke	14.0 mm / 0.551 in.
Output	1.75 ps / 1.73 hp / 35,000 r.p.m.
Practical R.P.M.	5,000-44,000 r.p.m.
Weight	225 g / 7.94 oz. (Engine)



**O.S. ENGINES MFG.CO.,LTD.**

6-15 3-Chome Imagawa Higashiumiyoshi-ku  
Osaka 546-0003, Japan TEL. (06)6702-0225  
http://www.os-engines.co.jp FAX. (06)6704-2722