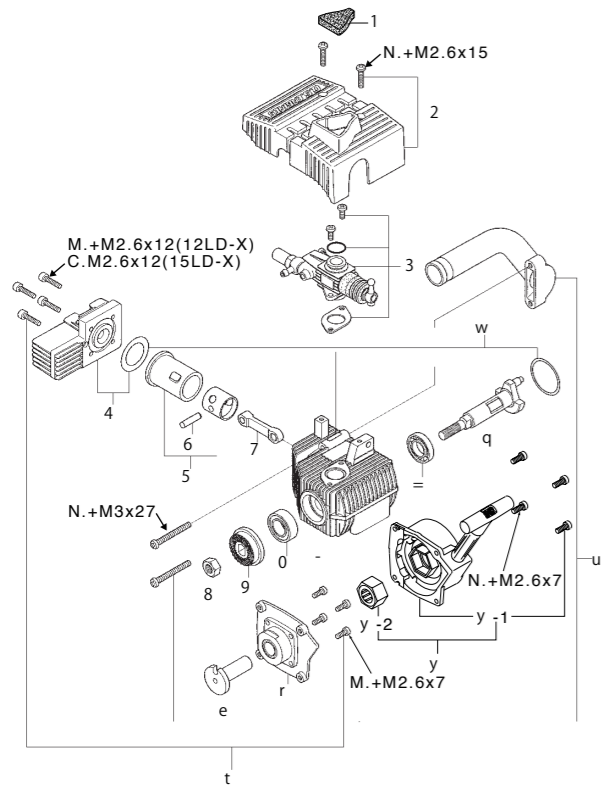


MAX-12, 15LD-X/LD-X(T) EXPLODED VIEW



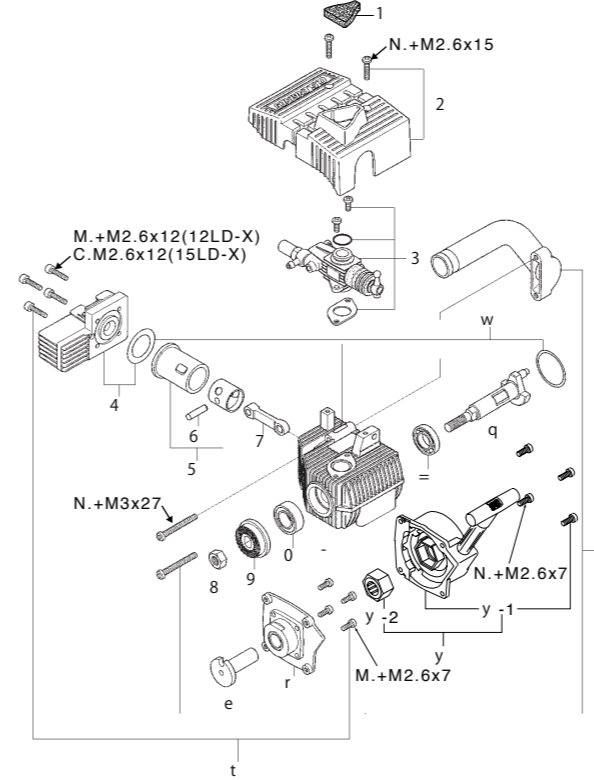
Type of screw C...Cap Screw M...Oval Fillister-Head Screw
F...Flat Head Screw N...Round Head Screw S...Set Screw

MAX-12,15LD/LD(T) ENGINE PARTS LIST

No.	Code No.	Description
1	7 2403 420	104 Filter Elements (3pcs.)
2	7 2403 410	Engine Shield [12LD]
	7 2403 510	Engine Shield [15LD]
3	2 1183 000	Carburetor Complete (Type 10F)
4	2 1154 000	Heatsink Head [12LD]
	2 1554 000	Heatsink Head [15LD]
5	2 1203 011	Cylinder & Piston Assembly [12LD]
	2 1503 000	Cylinder & Piston Assembly [15LD]
6	2 1206 000	Piston Pin [12LD]
	2 1706 000	Piston Pin [15LD]
7	2 1205 040	Connecting Rod
8	2 0810 007	Propeller Nut
9	2 1408 000	Drive Hub
0	2 2631 019	Crankshaft Ball Bearing (Front)
-	2 1151 000	Crankcase [12LD]
	2 1551 000	Crankcase [15LD]
=	2 1230 000	Crankshaft Ball Bearing (Rear)
q	2 1152 000	Crankshaft
w	2 1164 000	Gasket Set [12LD]
	2 1524 000	Gasket Set [15LD]
e	2 1157 000	Cover Plate
r	2 1163 000	Screw Set [12LD]
	2 1313 030	Screw Set [15LD]
t	7 2103 410	Exhaust Header Pipe
	7 1605 300	Glow Plug A3 [12LD]
	7 1608 001	Glow Plug No.8 [15LD]
	2 1325 000	E-1000 Silencer [12/15LD(T)]

h12/15LD(T) is supplied with E-1000 Silencer instead of exhaust header pipe.
The specifications are subject to alteration for improvement without notice.

MAX-12, 15LD-X/LD-X(T) EXPLODED VIEW



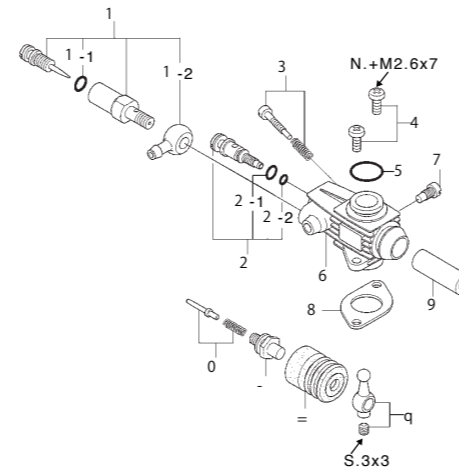
Type of screw C...Cap Screw M...Oval Fillister-Head Screw
F...Flat Head Screw N...Round Head Screw S...Set Screw

MAX-12,15LD-X/LD-X(T) ENGINE PARTS LIST

No.	Code No.	Description
1	7 2403 420	104 Filter Elements (3pcs.)
2	7 2403 410	Engine Shield [12LD-X]
	7 2403 510	Engine Shield [15LD-X]
3	2 1183 000	Carburetor Complete (Type 10F)
4	2 1154 000	Heatsink Head [12LD-X]
	2 1554 000	Heatsink Head [15LD-X]
5	2 1203 011	Cylinder & Piston Assembly [12LD-X]
	2 1503 000	Cylinder & Piston Assembly [15LD-X]
6	2 1206 000	Piston Pin [12LD-X]
	2 1706 000	Piston Pin [15LD-X]
7	2 1205 040	Connecting Rod
8	2 0810 007	Propeller Nut
9	2 1408 000	Drive Hub
0	2 2631 019	Crankshaft Ball Bearing (Front)
-	2 1151 000	Crankcase [12LD-X]
	2 1551 000	Crankcase [15LD-X]
=	2 1230 000	Crankshaft Ball Bearing (Rear)
q	2 1152 010	Crankshaft
w	2 1164 000	Gasket Set [12LD-X]
	2 1524 000	Gasket Set [15LD-X]
e	2 1421 200	Starting Shaft
r	2 1121 100	Rear Adapter
t	2 1163 000	Screw Set [12LD-X]
	2 1313 030	Screw Set 15LD-X
y	7 3003 000	No.5 Recoil Starter Assembly
y -1	7 3003 100	No.5 Recoil Starter Body
y -2	7 3003 200	No.5 One-way Clutch
u	7 2103 410	Exhaust Header Pipe
	7 1605 300	Glow Plug A3 [12LD-X]
	7 1608 001	Glow Plug No.8 [15LD-X]
	7 2404 100	Engine Mount Spacer
	2 1325 000	E-1000 Silencer [12/15LD-X(T)]

12/15LD(T) is supplied with E-1000 Silencer instead of exhaust header pipe.
The specifications are subject to alteration for improvement without notice.

10F CARBURETOR EXPLODED VIEW & PARTS LIST



Type of screw C...Cap Screw M...Oval Fillister-Head Screw
F...Flat Head Screw N...Round Head Screw S...Set Screw

No.	Code No.	Description
1	2 1481 900	Needle Valve Assembly
1-1	2 7881 820	"O" Ring
1-2	2 1481 950	Universal Nipple No.12
2	2 1285 600	Mixture Control Valve Assembly
2-1	4 6066 319	"O" Ring(L)
2-2	2 2781 800	"O" Ring(S)
3	2 1285 640	Throttle Stop Screw
4	2 1183 700	Carburetor Retaining Screw
5	2 1181 837	"O" Ring
6	2 1183 100	Carburetor Body
7	2 1285 220	Slide Valve Guide Screw
8	2 1165 000	Thermo Insulator
9	2 1285 200	Slide Valve
0	2 1285 400	Metering Needle Assembly
-	2 1285 210	Slide Valve Extension
=	2 1285 520	Dust Cover
q	2 3818 410	Ball Link No.2

The specifications are subject to alteration for improvement
without notice.