

No.	Code No.	Description
1	21454600	Heatsink Head Assembly
1-1	21454620	Outer Head
1-2	21454610	Inner Head
2	21453001	Cylinder & Piston Assembly
3	21256000	Piston Pin
4	21817000	Piston Pin Retainer (2pcs.)
5	21455000	Connecting Rod
6	21483000	Carburetor Complete (Type 10J)
7	21484000	Carburetor Complete (Type 10M)
8	25381701	Carburetor Retainer
9	20810007	Propeller Nut
10	21458000	Drive Hub
11	22631020	Crankshaft Ball Bearing (Front)
12	21451000	Crankcase
13	21430000	Crankshaft Ball Bearing (Rear)
14	21452000	Crankshaft
	21452020	Crankshaft (For 12cc)
15	21464010	Gasket Set
16	21457000	Cover Plate
17	21213000	Head Screw Set
	71605100	Glow Plug A5
	21427200	Exhaust Manifold (2pcs.)
	72403300	Upper Air Cleaner 103 (W/2 filter elements)
	72403310	103 Cleaner Body
	72403320	103 Filter Elements (4pcs.)

O.S. GENUINE TOOLS & ACCESSORIES

Code No.	Description
72011000	12cc Hyper Head
72106160	12cc Exhaust Header Pipes (For Super 10 Class)
72106170	12cc Exhaust Header Pipes (For Pure 10 Class) HQ
72106180	12cc Exhaust Header Pipes (For Pure 10 Class) LONG
72103310	Super Joint Tube 15
72103030	103-1030 Unlined Silencer For 1/10 off-road buggy and scale car.
72103031	103-1031 Unlined Silencer Exhaust outlet pipe is located on right side of silencer.
72103032	103-1032 Unlined Silencer Is located on left side of silencer IFMA regulation legal.
73300305	Dust Cap Set Ø3 (5pcs.) (for Carburetor Nipple)
73300712	Dust Cap Set Ø7 (3pcs.) (for Unlined Silencer)
73301212	Dust Cap Set Ø12 (3pcs.) (for Carburetor)
79871020	M2.6x7 Cap Screw Set (10pcs.)
79871040	M2.6x12 Cap Screw Set (10pcs.)
79871060	M3.5x8 Cap Screw Set (10pcs.)
71521000	Long Socket Wrench With Plug Grip

MAX-12TR

supplied With 10M automatic Carburettor (11360)

supplied With 10J automatic Carburettor (11361)

MAX-12TR(S)

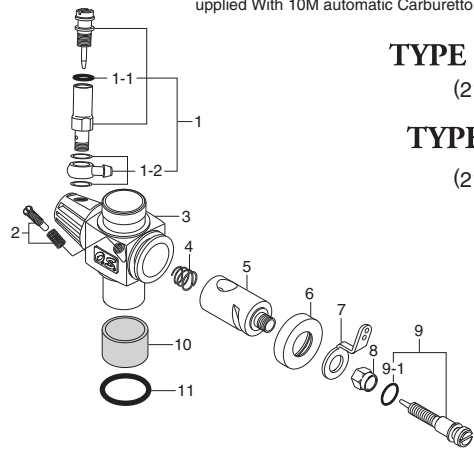
supplied With 10M automatic Carburettor (11363)

TYPE 10M

(21484000)

TYPE 10J

(21483000)



*_ type of screw

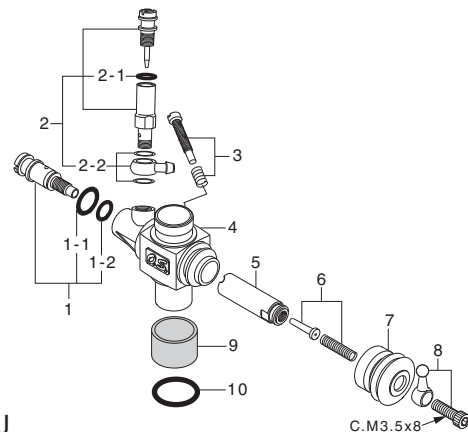
C...Cap screw M...Oval Fillister-Head screw

F...Flat Head screw N...Round Head screw ... etc screw

Type 10M

No.	Code No.	Description
1	21285901	Needle Valve Assembly
1-1	27881820	"O" Ring (2pcs.)
1-2	21881950	No.14 Universal Nipple Assembly
2	22681310	Throttle Top Screw
3	21484100	Carburetor Body (w/Thermo Insulator)
4	22481506	Carburetor Spring
5	21484200	Carburetor Jet
6	21283210	Dust Cover
7	22681419	Throttle Lever
8	21481420	Throttle Lever Fixing Nut
9	21484600	Mixture Control Screw
9-1	27881820	"O" Ring (2pcs.)
10	21165010	Thermo Insulator
11	22615000	Carburetor Rubber Gasket

Type 10J



No.	Code No.	Description
1	21285600	Mixture Control Valve Assembly
1-1	46066319	"O" Ring(L) (2pcs.)
1-2	22781800	"O" Ring () (2pcs.)
2	21285901	Needle Valve Assembly
2-1	27881820	"O" Ring (2pcs.)
2-2	21881950	No.14 Universal Nipple Assembly
3	23818500	Throttle Top Screw
4	21483100	Carburetor Body (w/Thermo Insulator)
5	21483200	Slide Valve
6	21483600	Metering Needle Assembly
7	21881320	Dust Cover
8	23818420	Ball Link No.4
9	21165010	Thermo Insulator
10	22615000	Carburetor Rubber Gasket

All the specifications are subject to alteration for improvement without notice.