

No.	Code No.	Description
1	21254000	Heatsink Head
2	21253010	Cylinder & Piston Assembly
3	21256000	Piston Pin
4	21817000	Piston Pin Retainer (2pcs.)
5	21255000	Connecting Rod
6	21286000	Carburetor Complete (Type 10C)
7	21481010	Carburetor Complete (Type 10E-)
8	21481700	Carburetor Retainer
9	20810007	Propeller Nut (Not included in 12CV; ())
10	21408000	Drive Hub (Not included in 12CV; ())
11	22631020	Crankshaft Ball Bearing (Front)
12	21501030	Crankcase
13	21230020	Crankshaft Ball Bearing (Rear)
14	21252000	Crankshaft
	21252010	Crankshaft (12CV; ())
15	21214000	Gasket Set
16	21257000	Cover Plate
17	21213000	Screw Set
	71608001	Glow Plug No.8
	72403200	Upper Air Cleaner 102(W/3 filter elements)
	72403210	102 Cleaner Body
	72403120	101,102 Filter Elements (6pcs.)
	72403202	Upper Air Cleaner 102 (W/3 filter elements)
	72403212	102 Cleaner Body
	72403120	101,102 Filter Elements (6pcs.)

O.S. GENUINE ACCESSORIES & ACCESSORIES

Code No.	Description
72010300	12CV- Hyper Head Set (for standard plug)
72010100	12CV- Hyper Head Set (for type plug)
72103110	Exhaust Header Pipe (for kyosho super10)
72103140	Exhaust Header Pipe (for kyosho pider & HPI Nitro)
72103160	Exhaust Header Pipe (for kyosho V-one , V-one)
72103130	Exhaust Header Pipe (for amiya G10)
72103120	Exhaust Header Pipe (for amiya GX)
72103150	Exhaust Header Pipe (for MUGEN M.X)
72103310	Upper Joint Tube 15
72103030	-103Q uned Silencer For 1/10 off-road buggy and scale car.
72103031	-103L uned Silencer Exhaust outlet pipe is located on right side of silencer.
72103032	-103R uned Silencer Is located on left side of silencer IFMA regulation legal.
71530100	Crankshaft Clamp 1012
73300305	Dust Cap Set Ø3 (5pcs.) (for Carburetor Nipple)
73300712	Dust Cap Set Ø7 (3pcs.) (for uned Silencer)
73301012	Dust Cap Set Ø10 (3pcs.) (for Carburetor)
79871020	M2.6x7 Cap screw set (10pcs.)
79871040	M2.6x12 Cap screw set (10pcs.)
79871060	M3.5x8 Cap screw set (10pcs.)
71521000	Long Socket Wrench With Plug Grip

MAX-12CV-R

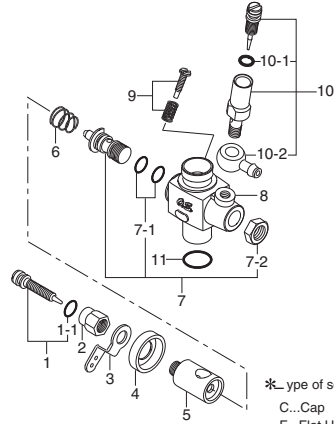
Applied With 10E- automatic Carburetor (11290)
Applied With 10C automatic Carburetor (11292)

MAX-12CV-R(S)

Applied With 10E- automatic Carburetor (11291)

TYPE 10E-R (21481020)

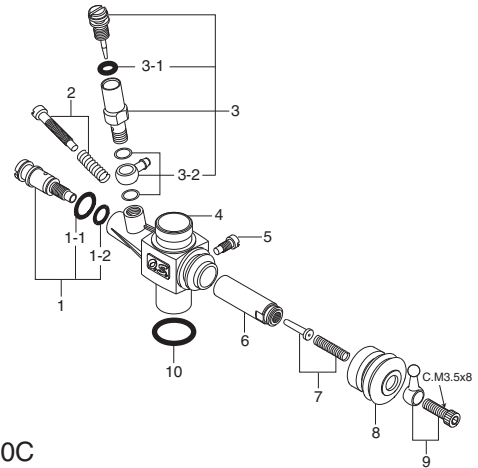
TYPE 10C (21286000)



*_ type of screw
C...Cap screw M...Oval Fillister-Head screw
F...Flat Head screw N...Round Head screw ... et screw

Type 10E-

No.	Code No.	Description
1	21481600	Mixture Control Valve Assembly
1-1	27881820	"O" Ring (2pcs.)
2	21481420	Throttle Lever Fixing Nut
3	22681419	Throttle Lever
4	21283210	Dust Cover
5	21481200	Carburetor
6	22481506	Carburetor Spring
7	21283962	Nozzle Assembly
7-1	24881824	"O" Ring
7-2	21283961	Locknut
8	21481120	Carburetor Body
9	22681310	Throttle Top Screw
10	21481900	Needle Valve Assembly
10-1	27881820	"O" Ring (2pcs.)
10-2	21481950	Fuel Inlet (No.12)
11	22615000	Carburetor Rubber Gasket



Type 10C

No.	Code No.	Description
1	21285600	Mixture Control Valve Assembly
1-1	46066319	"O" Ring(L) (2pcs.)
1-2	22781800	"O" Ring(R) (2pcs.)
2	21285640	Throttle Top Screw
3	21285901	Needle Valve Assembly
3-1	27881820	"O" Ring (2pcs.)
3-2	21881950	No.14 Universal Nipple Assembly
4	21286100	Carburetor Body
5	21285220	Slide Valve Guide Screw
6	21286200	Slide Valve
7	21286400	Metering Needle Assembly
8	21881320	Dust Cover
9	23818420	Ball Link No.4
10	22615000	Carburetor Rubber Gasket

All specifications are subject to alteration for improvement without notice.